

Installation manual

Trendline 2.0



Assembly instructions

1. Preparations

- Sauna package must be stored in a dry room.
- Prior to installation the package must be opened and stored for 48h to adjust to relative humidity of the room (22°C, 40-60% RH).
- Ensure the sauna model fits in the designated room with sufficient extra room for ease of installation.
- Clean the location of sauna with care in order to not damage any details, elements.
- Room must be well ventilated and water drain suggested to be near the sauna.
- Sauna is intended to be installed on a level surface to ensure proper installation and quality of the installed product.
- Adequate electrical supply must be ensured for electrical components of the sauna. Refer to user manuals of respective products.
- Electrical connections to the power grid and to the sauna may only be carried out by legally competent and certified specialist.
- Producer cannot be held responsible for any errors resulting from disregard to the levelness of substructure, inadequate storing conditions, inadequate power supply, unauthorized alterations to components or any other circumstances occurring from deviations described in this manual and/or good customs.

2. List of tools

- Water level
- Tape measure
- Power drill
- Rubber or plastic mallet
- Screwdriver set

Installation of a sauna requires at least two (2) persons.

3. Installations

- Follow the instructions precisely.
- Always start from 1 and continuously move forward in an organized manner.
- Keep the installation site always clean and organized.
- This manual does not take into account any possible peculiarities of the installation site.
- Take care not to damage any components during installation due to dropping, dragging or careless handling.
- Special attention towards elements - they must be stored with care and kept away from any hard or sharp objects. Glasses are tempered and even smallest damages to the surface or corners can lead to concentration of stress and shattering of the glass.

1. Baseframe

1. Check substructure level. Sauna must be installed on a level surface.
2. Connect the base frame elements.
3. Fix the elements with screws.
4. Check baseframe diagonals for equality and right corners.

Figure 1a.

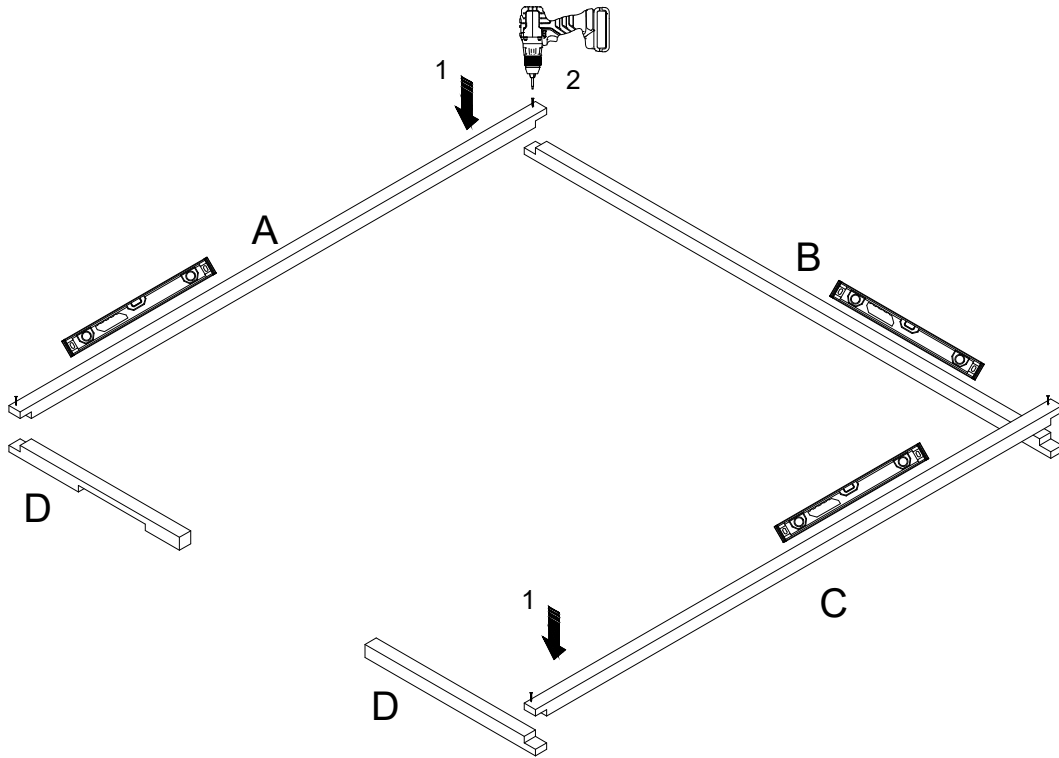
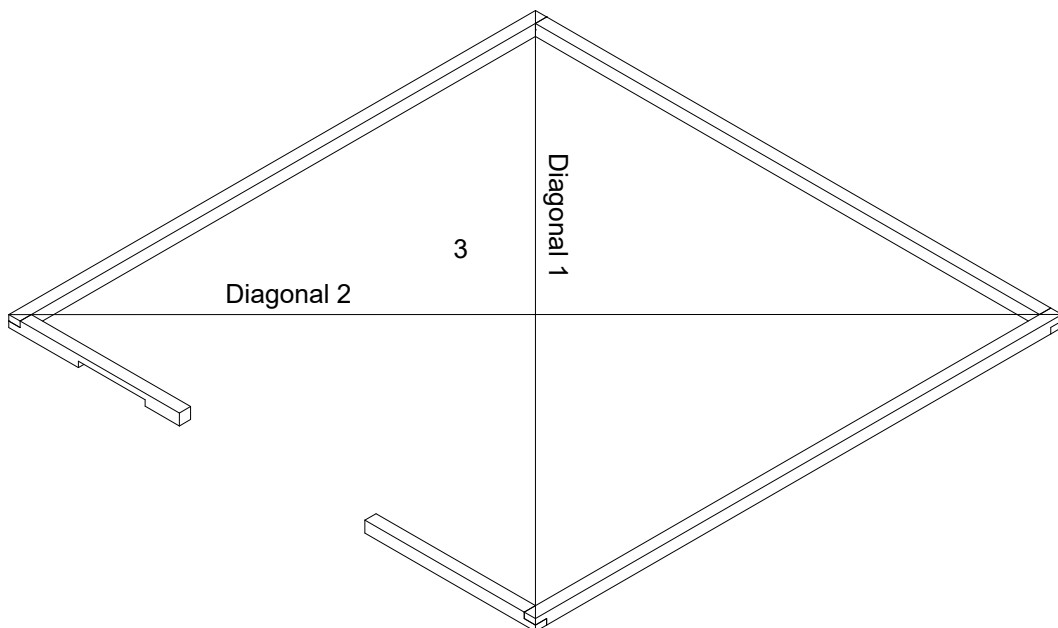


Figure 1b.



2.1 Wall elements

1. Start assembly from corner A3-B1. Place the elements on previously assembled and stable baseframe and fix with screws as indicated on Figure 2a, 2b.
2. Continue with installation according to Figure 2a.

Figure 2b.
Corner fixing

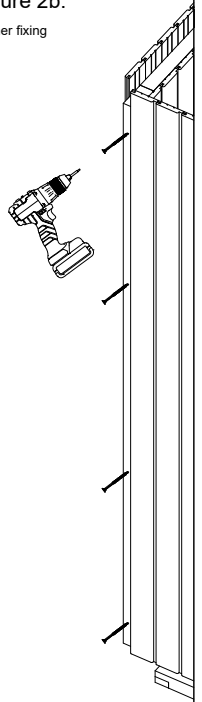
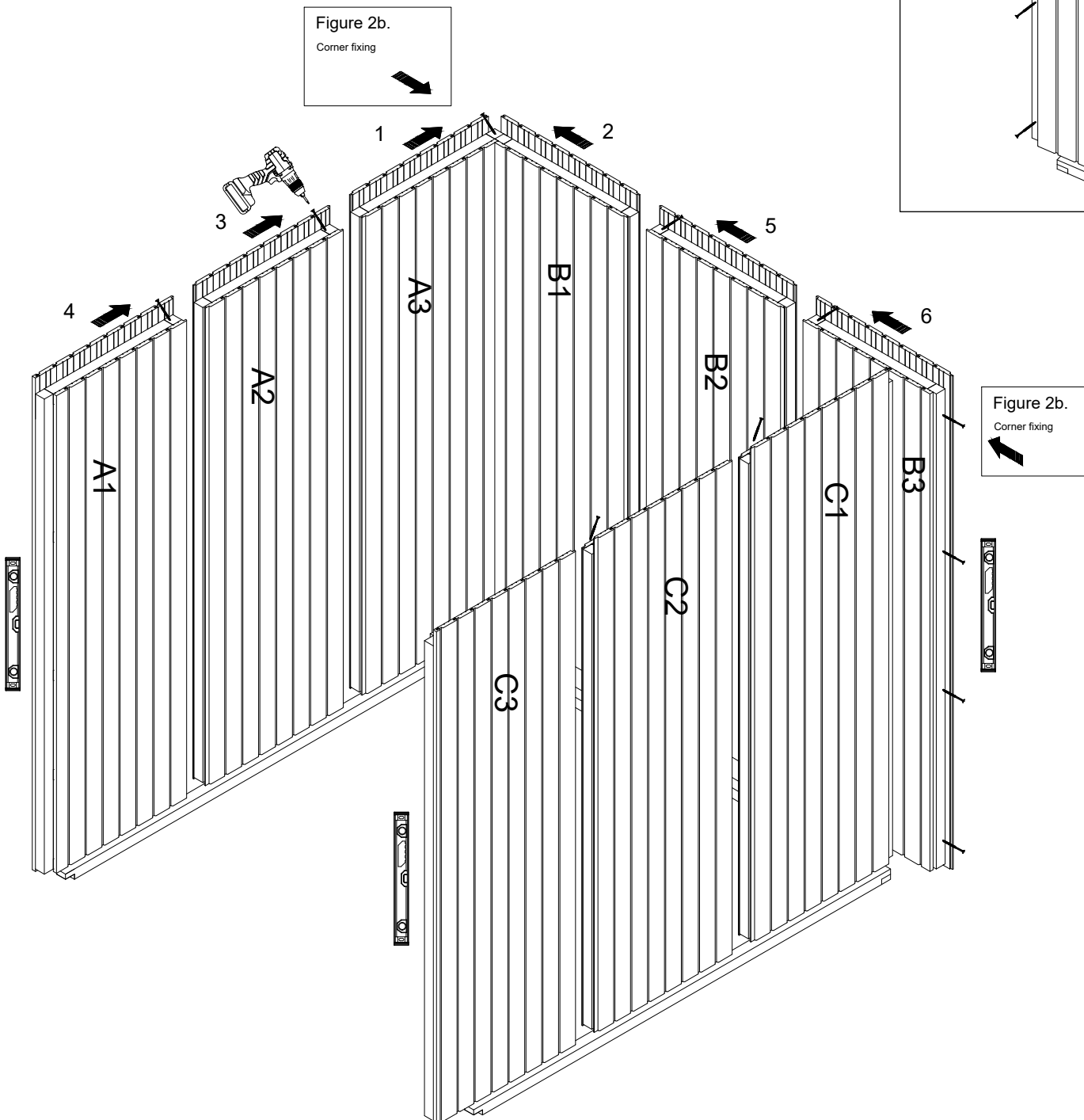
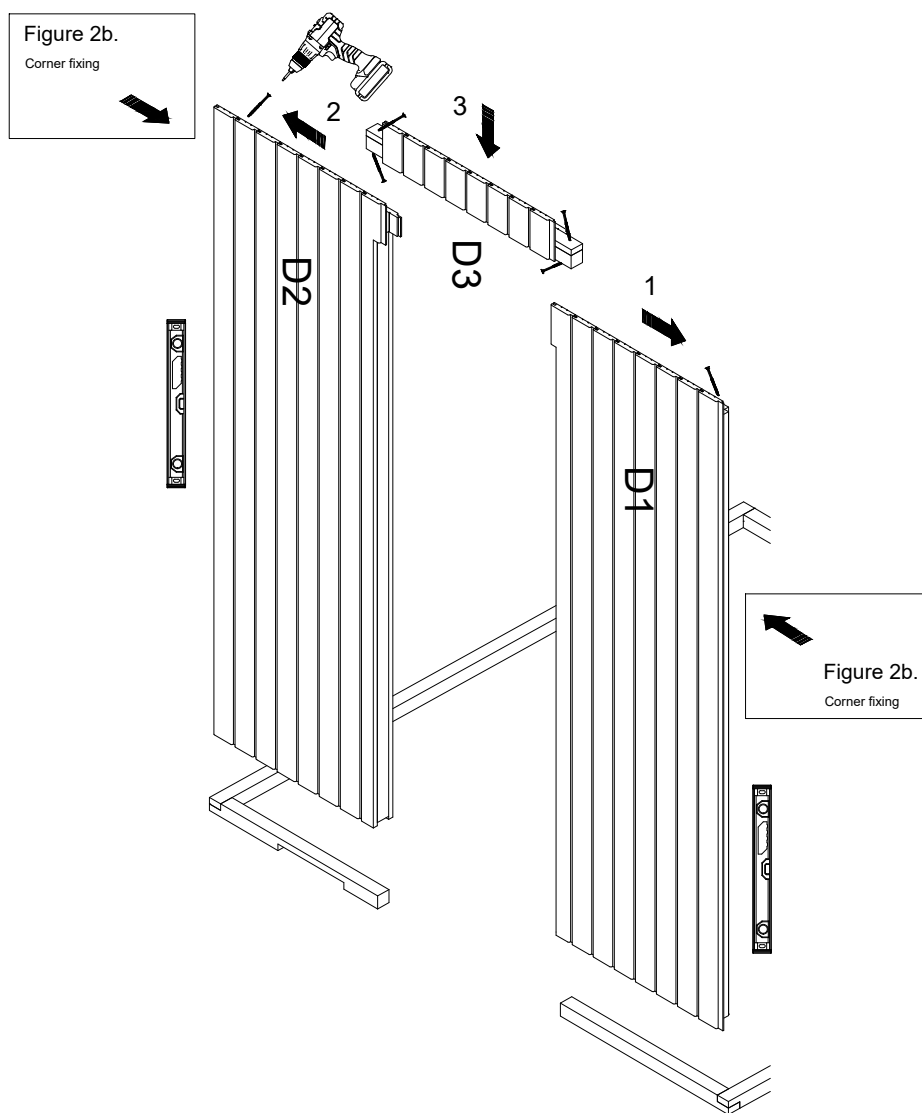


Figure 2a.



2.2 Wall elements

1. End assembly at front with D1, D2 and D3 elements. Place the elements on previously assembled and stable baseframe and fix with screws as indicated on Figure 2a, 2b (previous page).
2. Continue with installation according to Figure 2a.

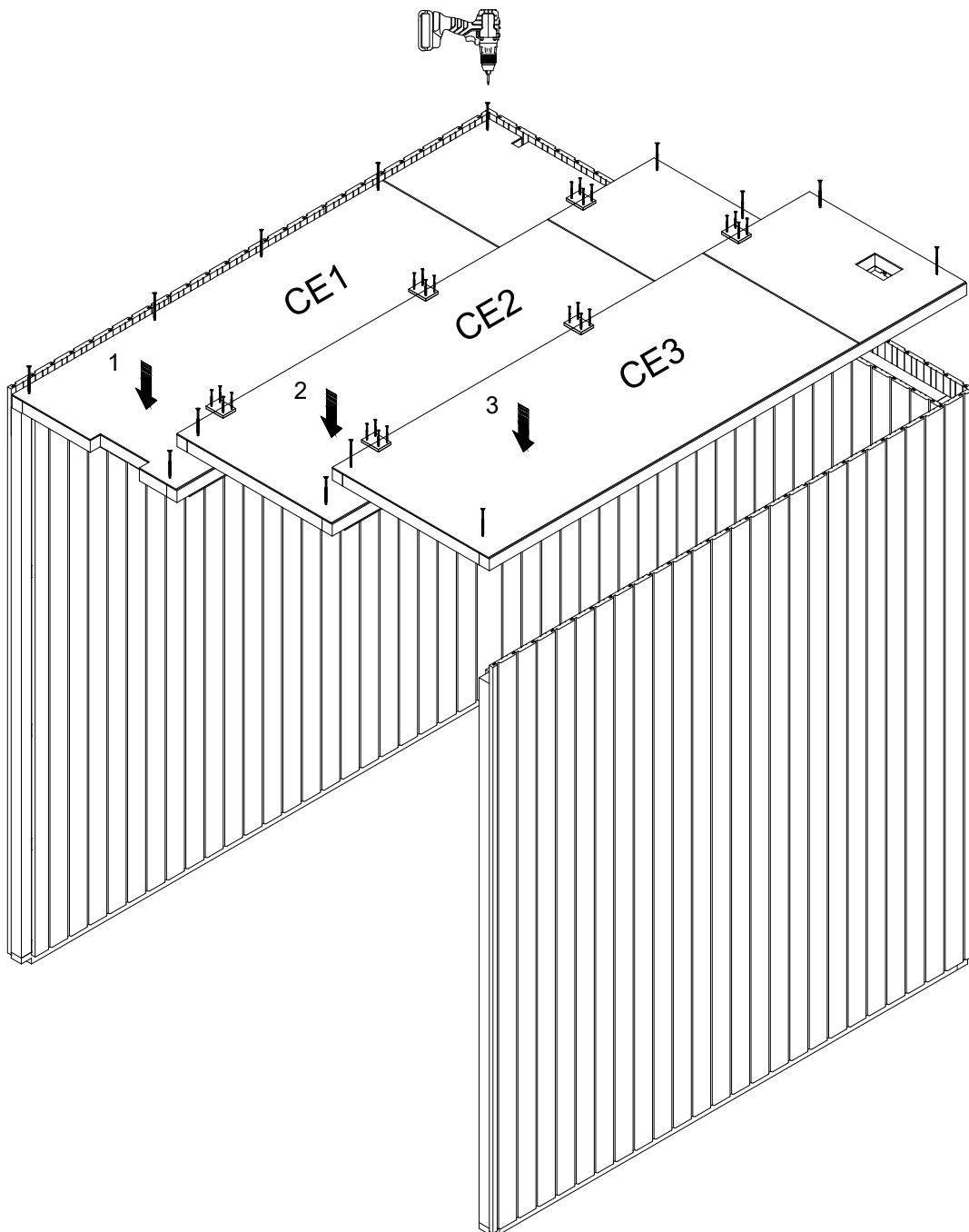


3. Ceiling elements

1. Place the first ceiling element on top of previously installed and fixed wall elements (Figure 3a). Check walls for vertical level. Ceiling element must sit flush with walls external layer and with no excessive gaps between internal panels. Fix with screws.
2. Place the second ceiling element on top of walls with approx. 10mm gap with previous ceiling and slide into place. Attach additional plywood support pieces on the joint between ceilings. Fix with screws around.
3. Install the ceiling as the previous. Check the front edge between ceiling and wall - they must fit flush.

NOTE! Do not support elements on edge of previous installed element!

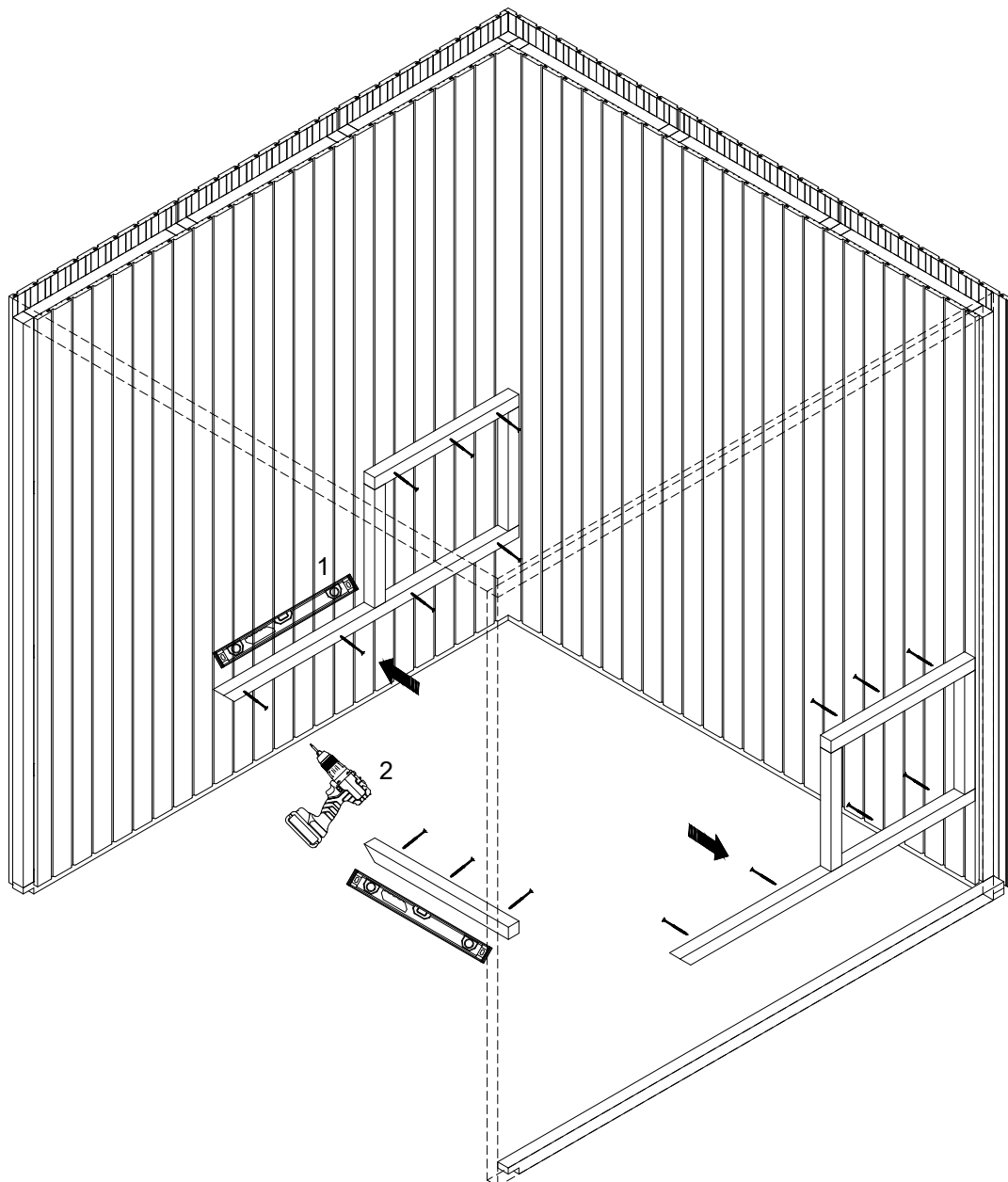
Figure 3a.



4. Bench supports on floor, backrest supports

1. Place bench supports in sauna, check for level. If required adjust the adjustable bottom screws accordingly.
2. Fix bench supports with screws.

Figure 4a.



5. Horizontal bench frames

1. Fix backrest with screws as shown (Figure 5b).
2. Place upper bench frame and fix with screws.
3. Place lower bench frame and fix with screws.
4. Place another upper bench frame and fix with screws.

NOTE! First fasten the screws on side walls, then back wall.

Figure 5a.

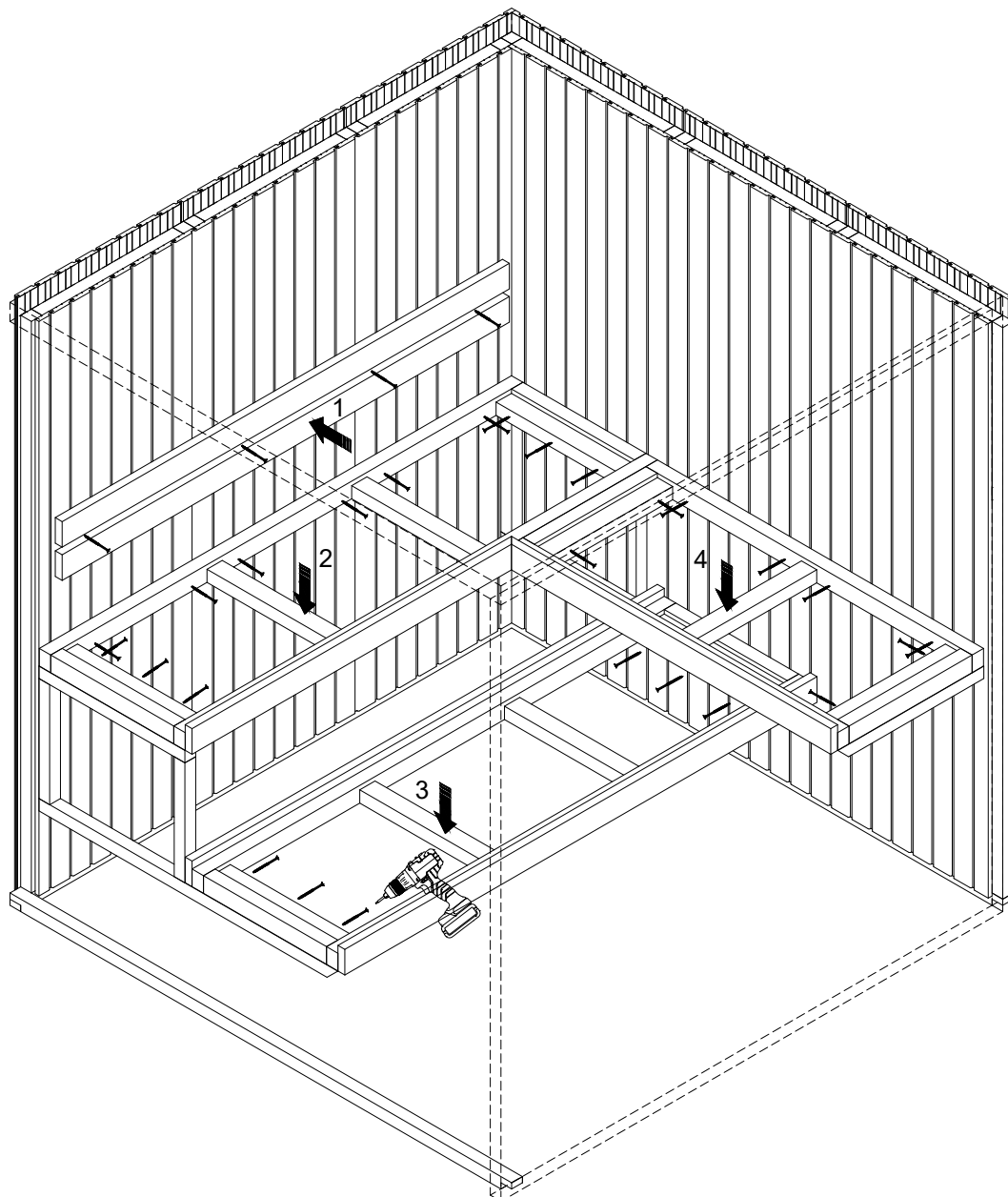
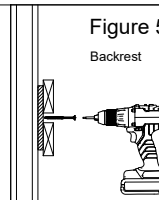


Figure 5b.

Backrest



6. Bench skirts

1. Lift bench skirt in place and fix (Figure 6b).

Figure 6a.

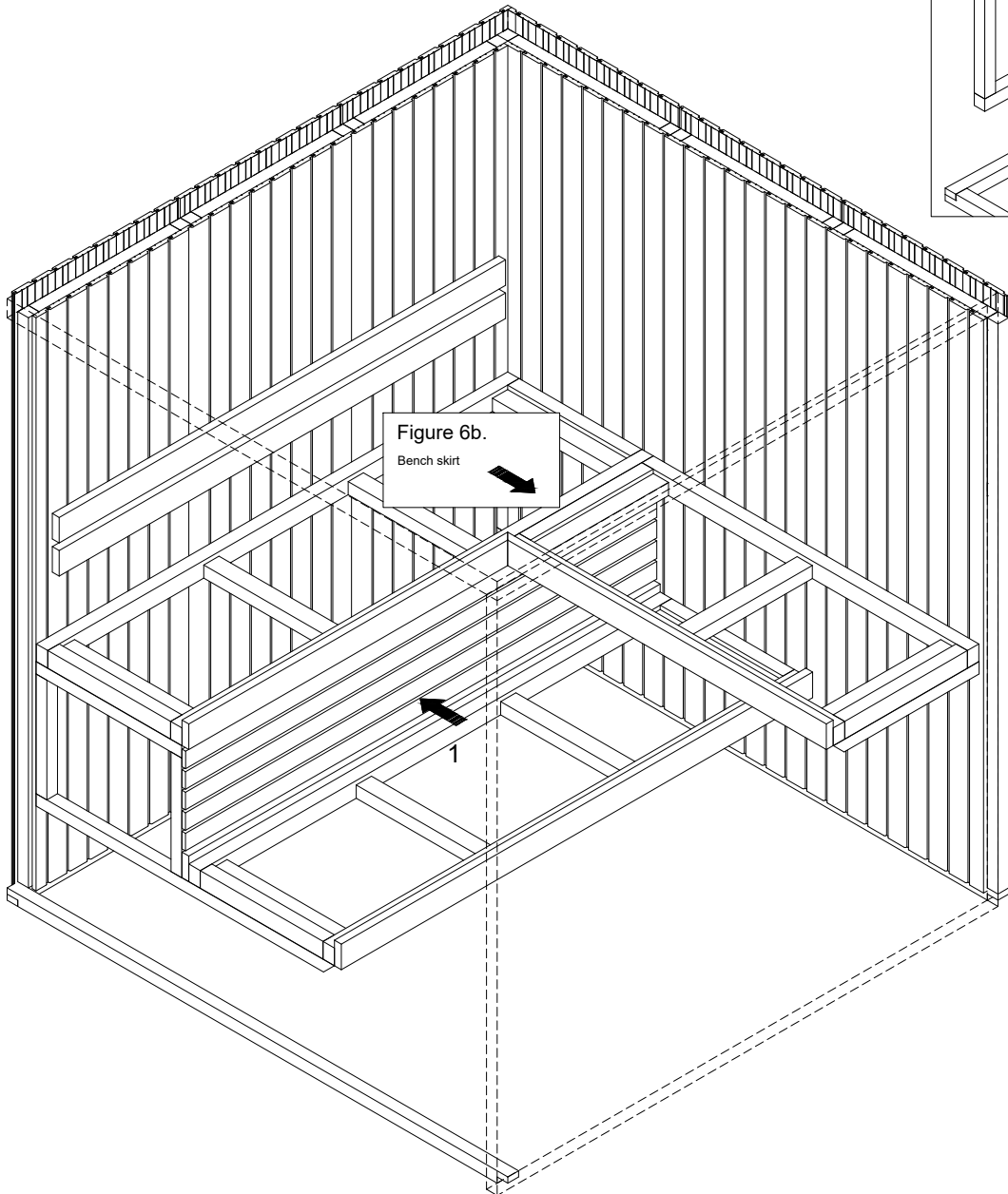
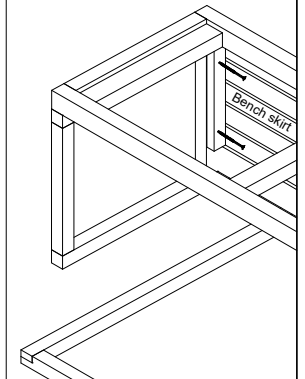


Figure 6b.

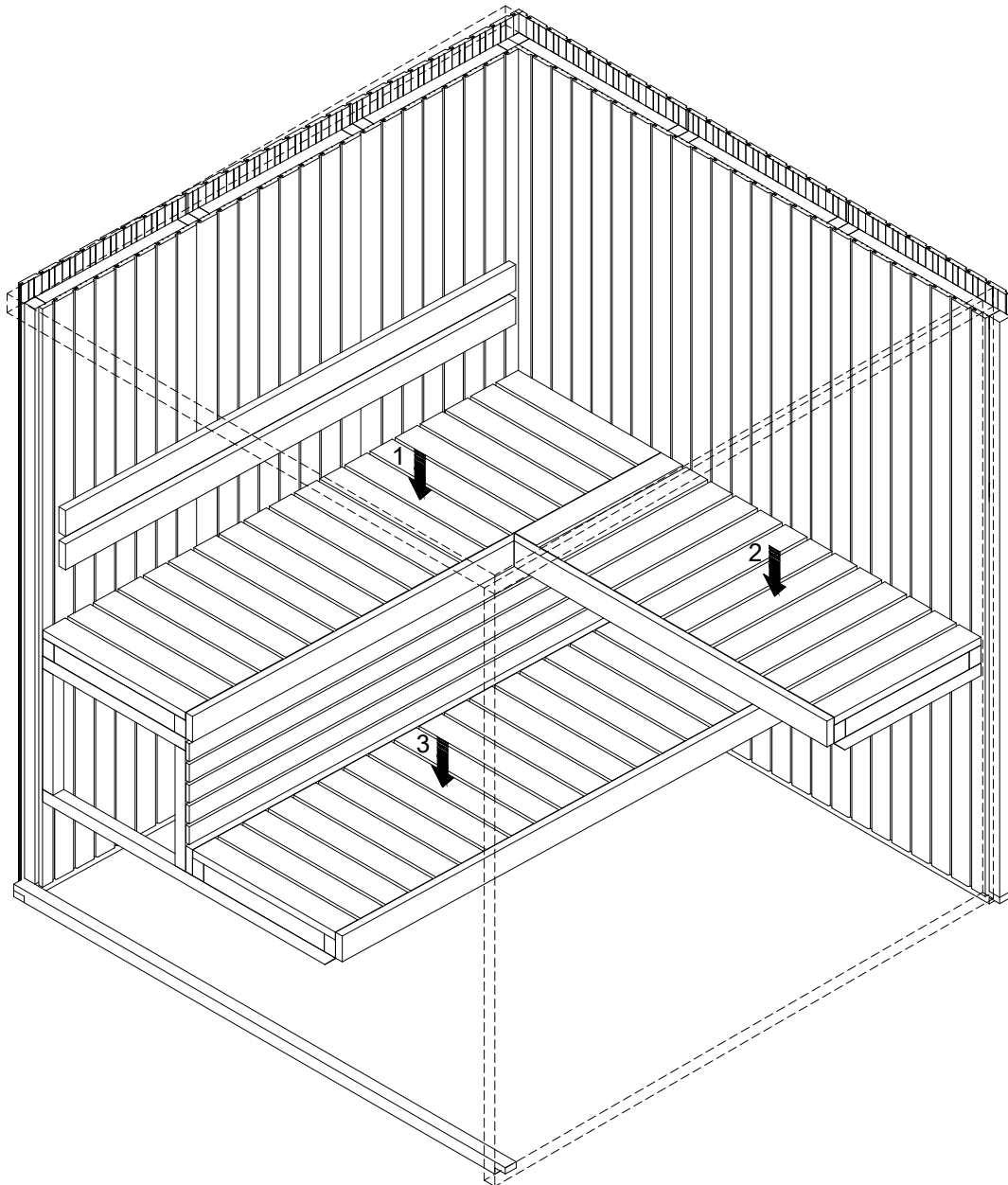
Bench skirt



7. Bench grids

1. Place bench grids on bench frames (Figure 7b).

Figure 7a.

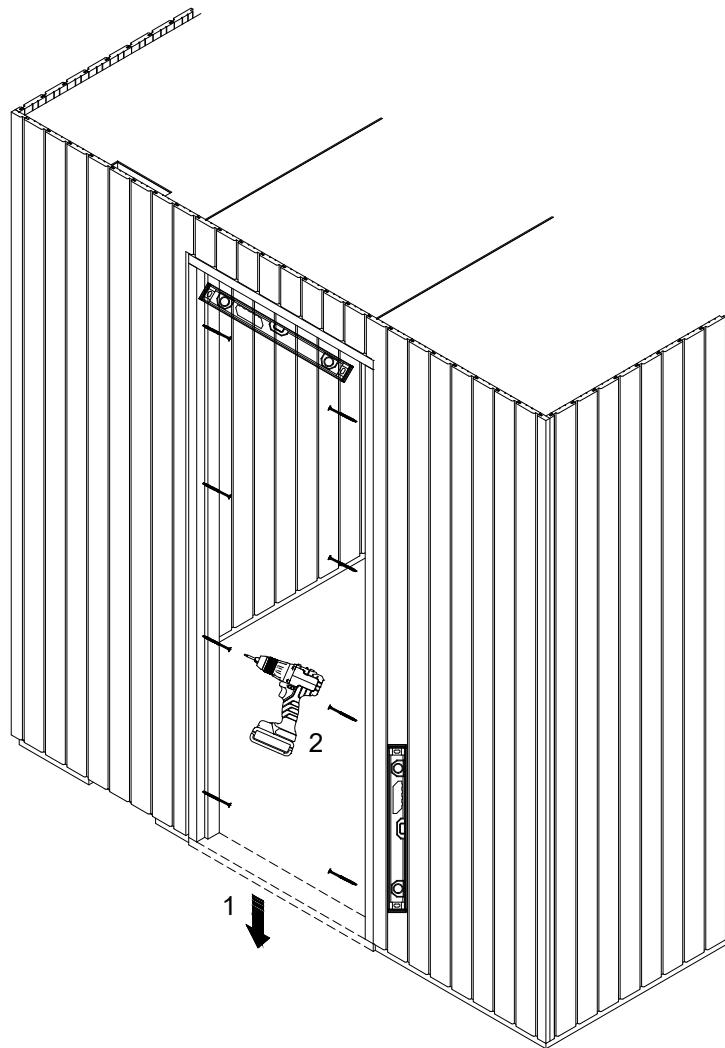
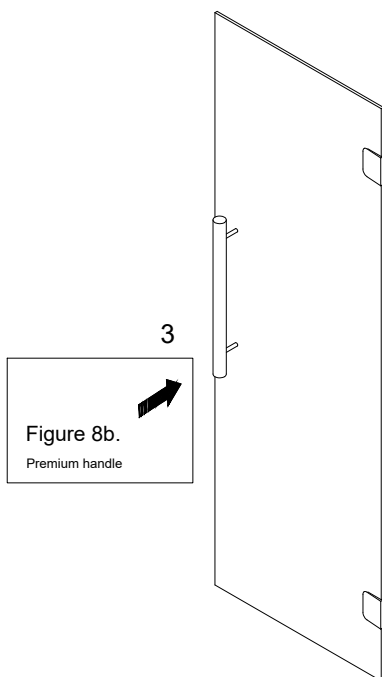
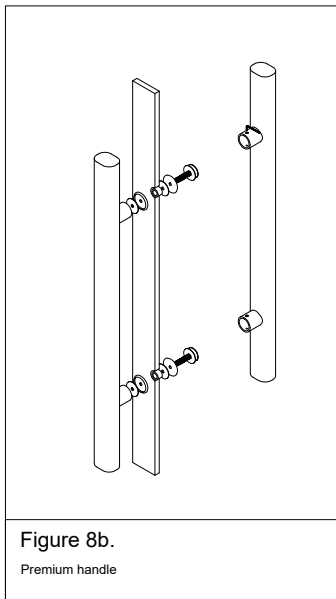


8. Door

1. Remove bottom transport molding from the door frame before installation.
2. Place the door frame and fix with screws, check for level.
3. Fit the handle to the door according to Figure 8b.

NOTE! Door must not be supported directly to a hard (tiled, concrete or other) floor due to risk of shattering. Always when not installed rest the door on a protected floor. Do not remove protection material from door until it is finally and properly fitted.

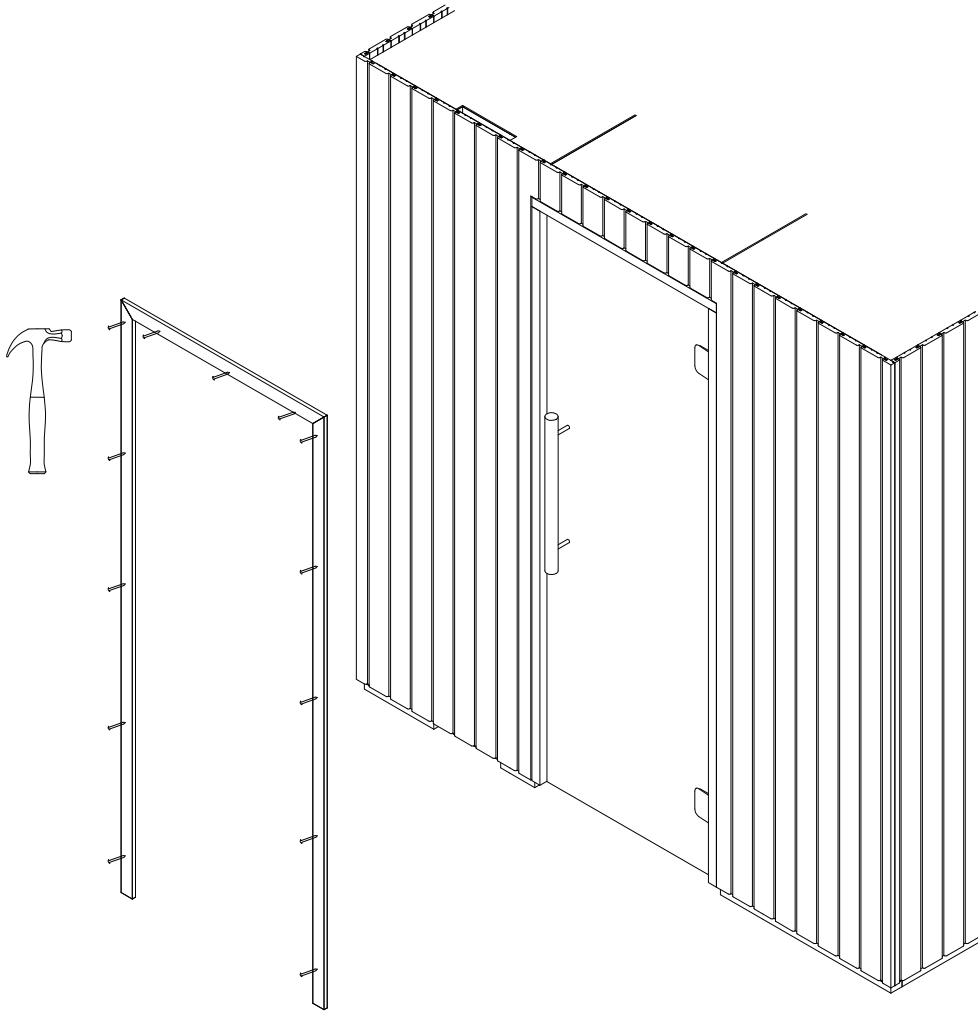
Figure 8a.



9. Door moldings

1. Fix the inner and outer moldings with nails after door installation.

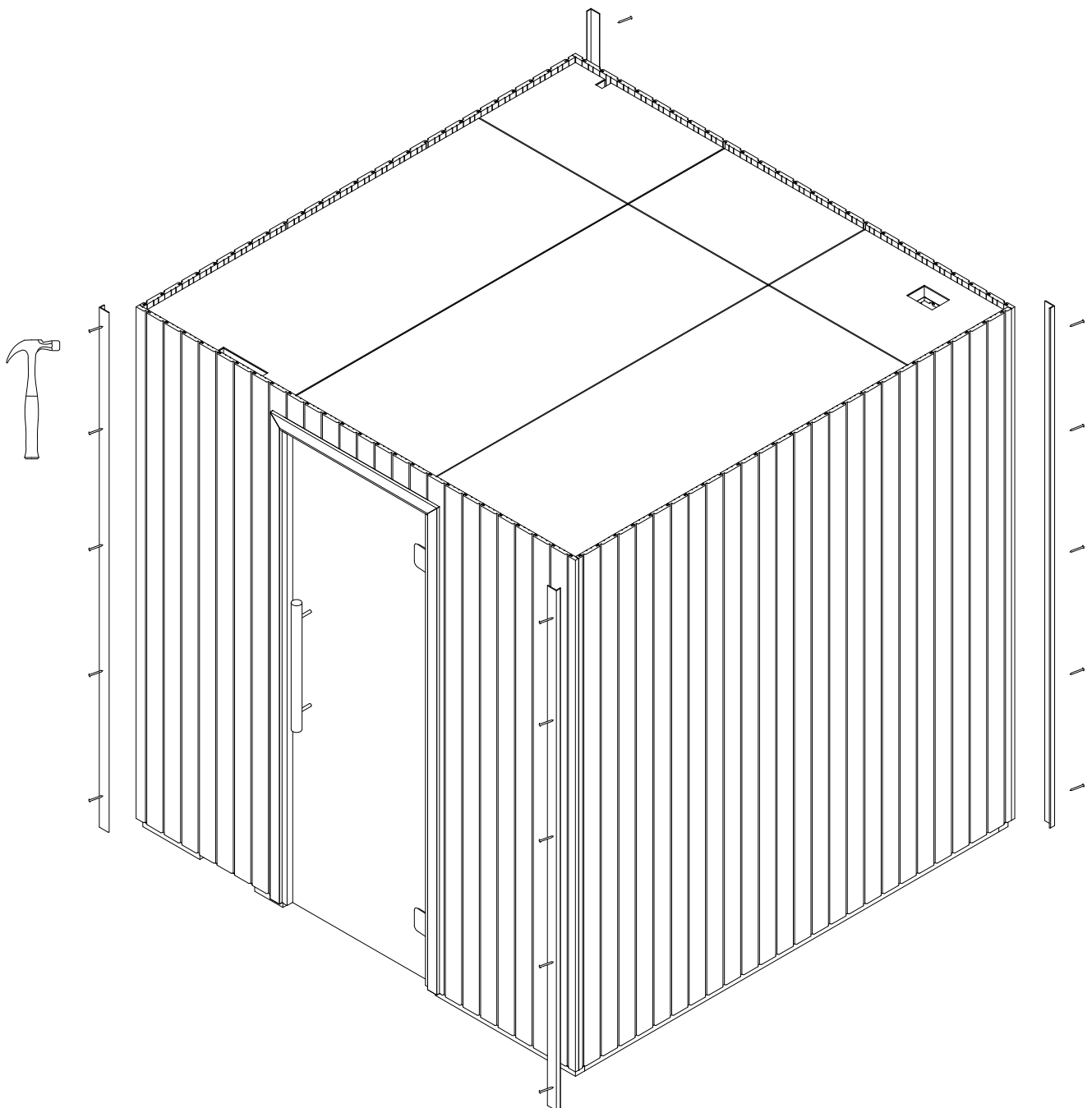
Figure 9a.



10. Corner moldings

1. Fix the corner moldings with nails.

Figure 10a.



11. Completed sauna

1. Check the level of all elements.
2. Check the functionality of all moving parts.
3. If needed make adjustments on adjustable components.
4. Sauna is ready to be used.

NOTE! Upon the first use sauna must be gradually and steadily taken up to normal operating temperature under constant supervision and afterwards thoroughly ventilated due to evaporation of various substances that might be present from production of the sauna and/or its components.

Figure 11a.

